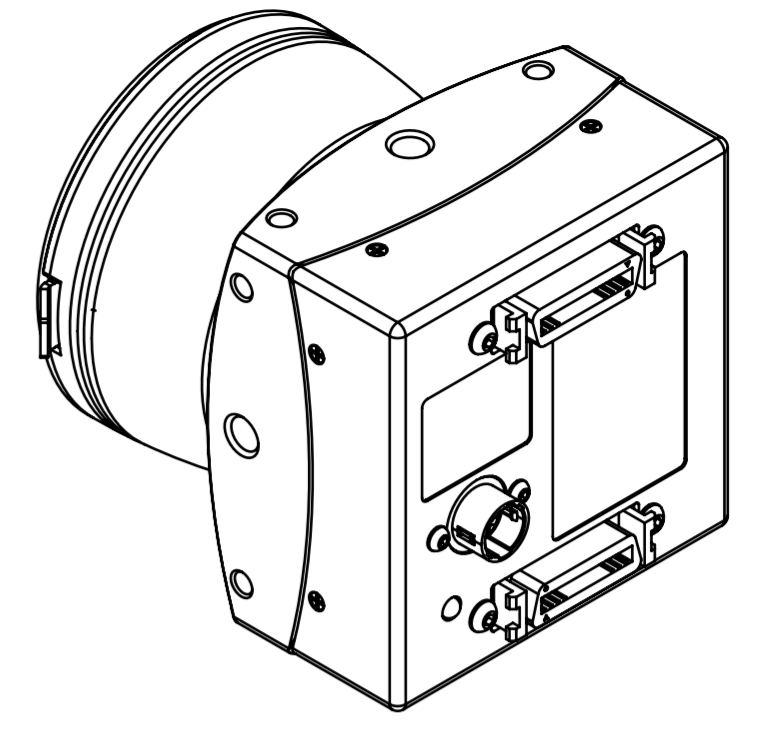
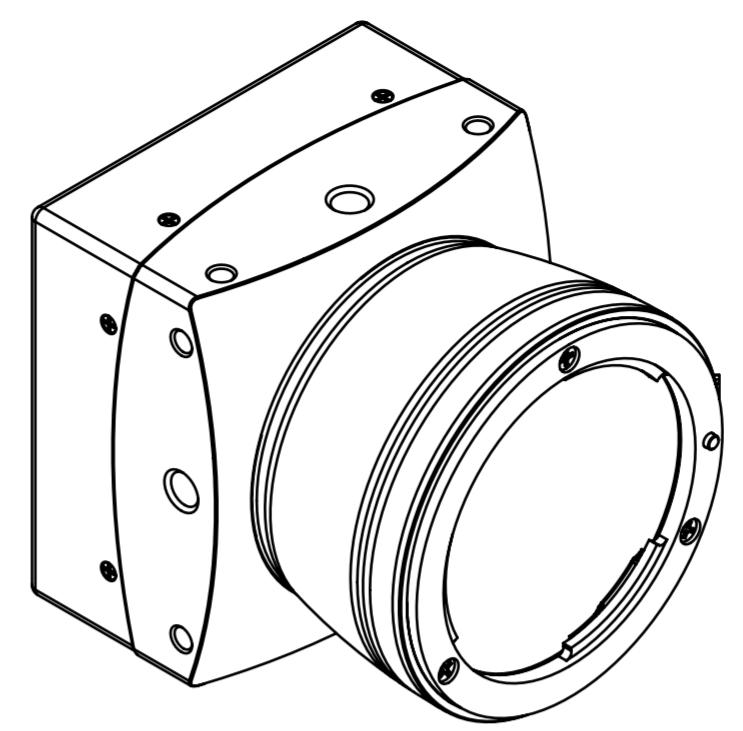
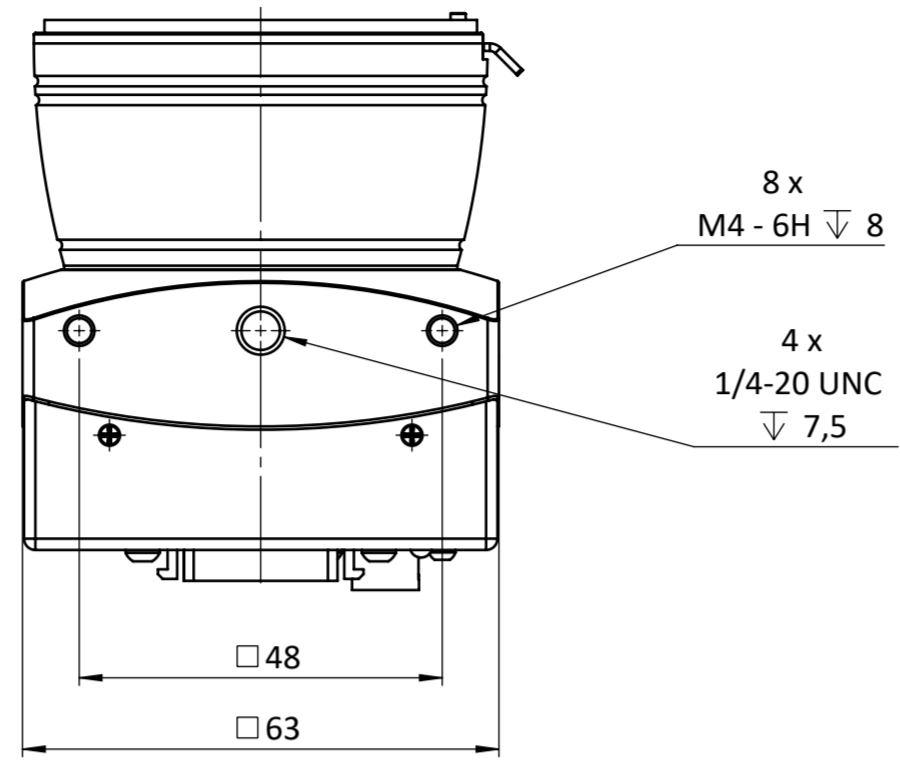
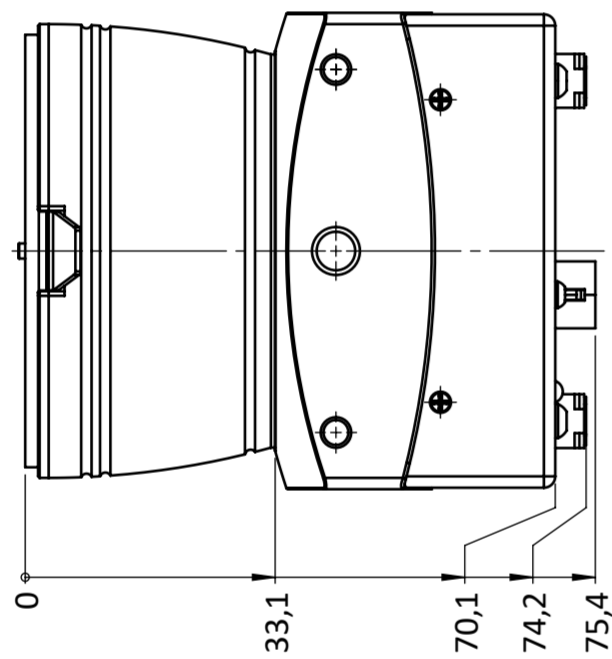


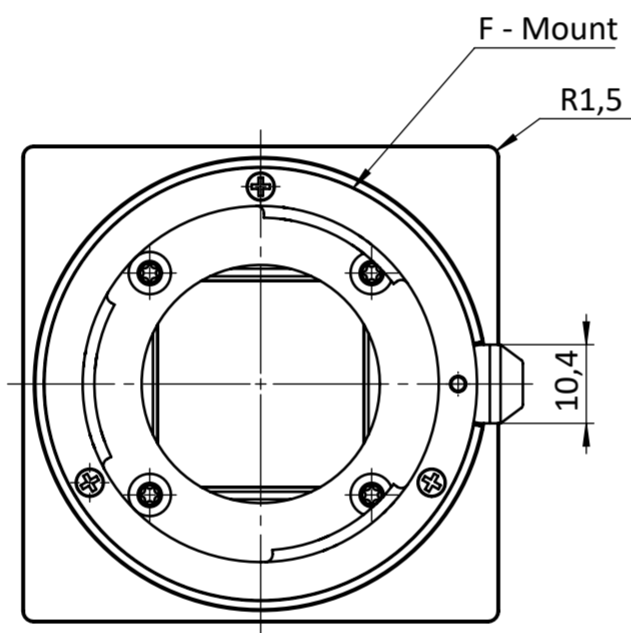
bottom view



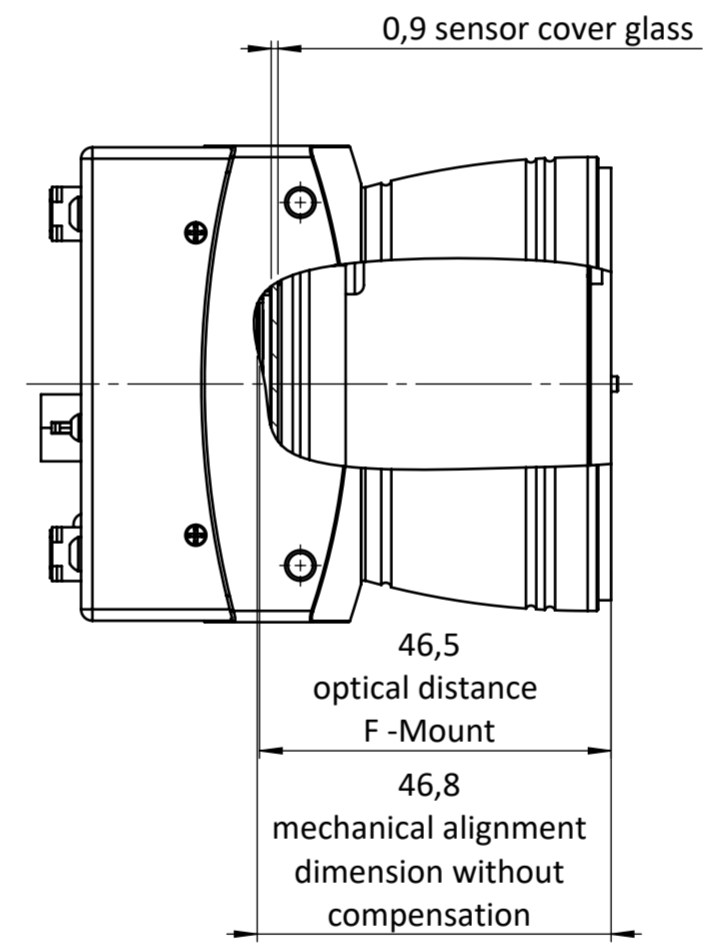
right view



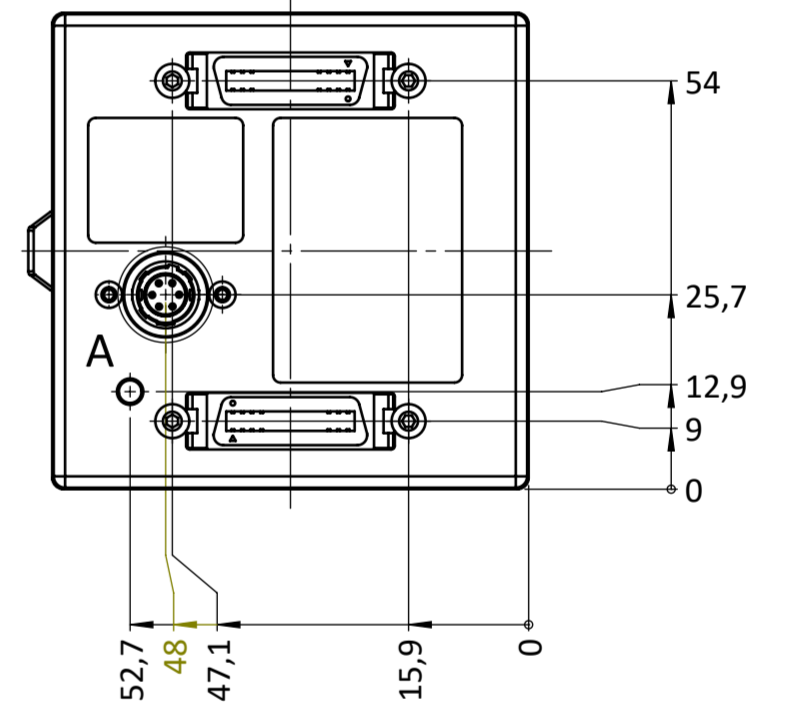
front view



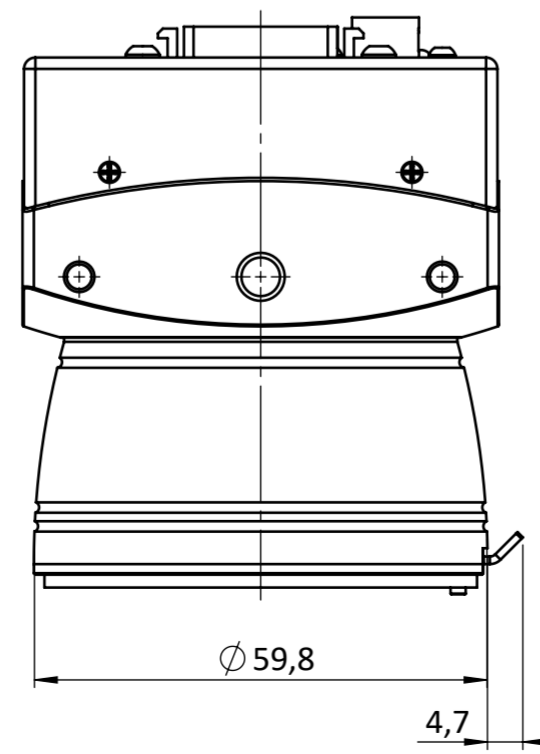
left view



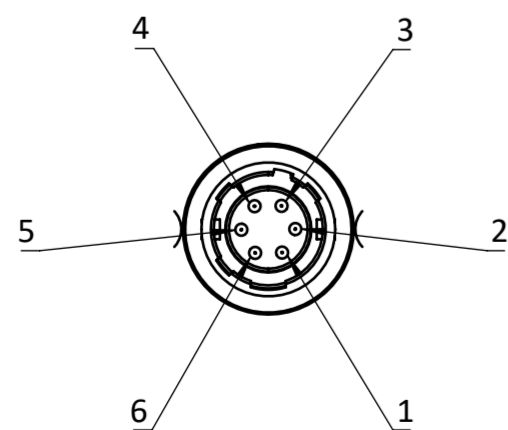
back view



top view



Hirose Connector



DETAIL A
Scale 2 : 1

Hirose Pinout	
Pin	Signal
1	VCC
2	VCC
3	STRB OUT
4	GND STRB
5	GND
6	GND

	all dimensions in mm unless otherwise specified		Scale: 1:1	Rev.: 1
			Customer Interface Drawing	
Title: EOSENS1.3MCL-FM		Material No.: CAMMC1362		A2
Name: S.Seller Sign: STB Date: 16.05.2022	Material:		Material No.:	
Drawn: Checked: Changed:	Weight:		Blatt/Sheet 1 / 1	