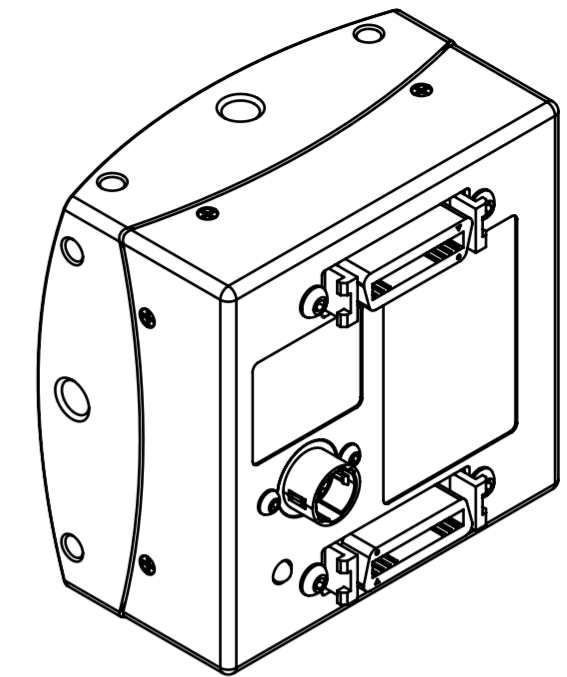
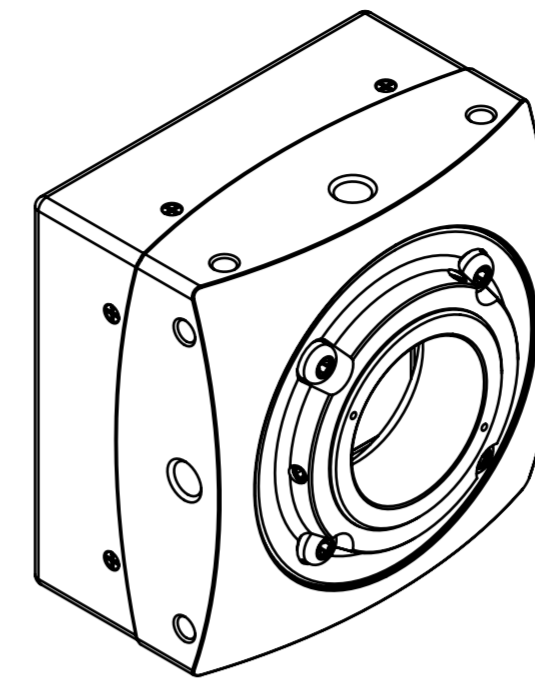
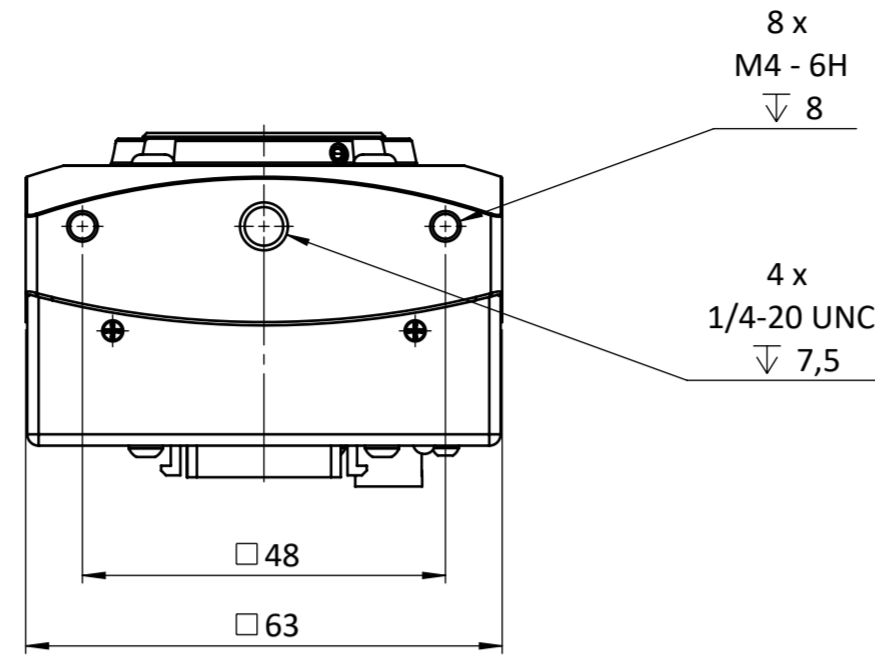
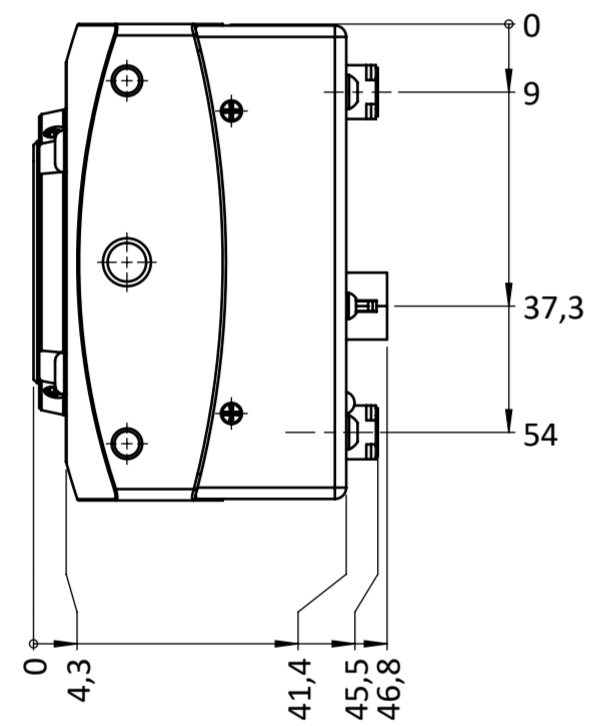


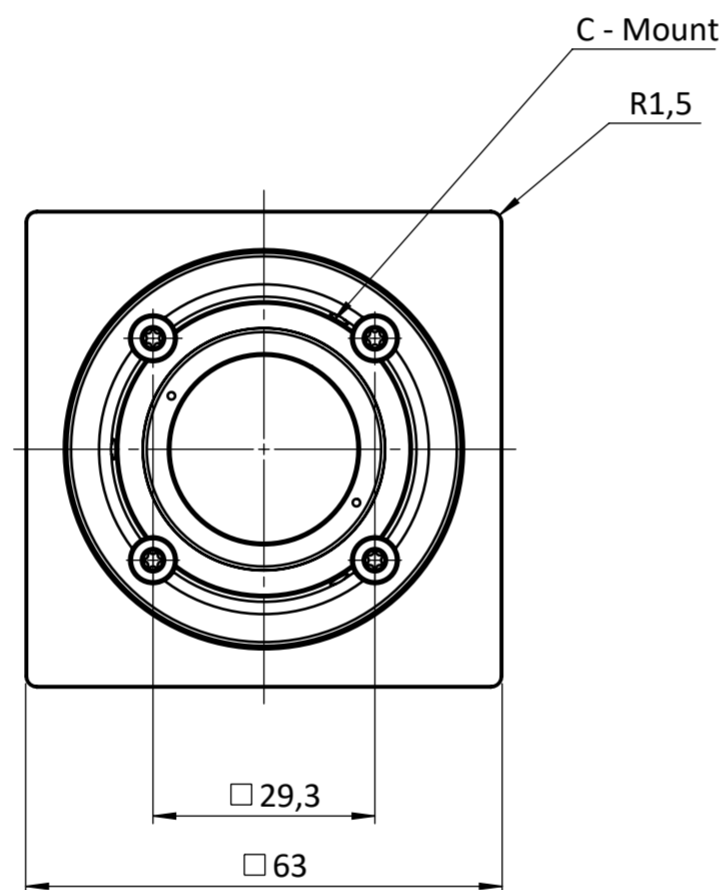
bottom view



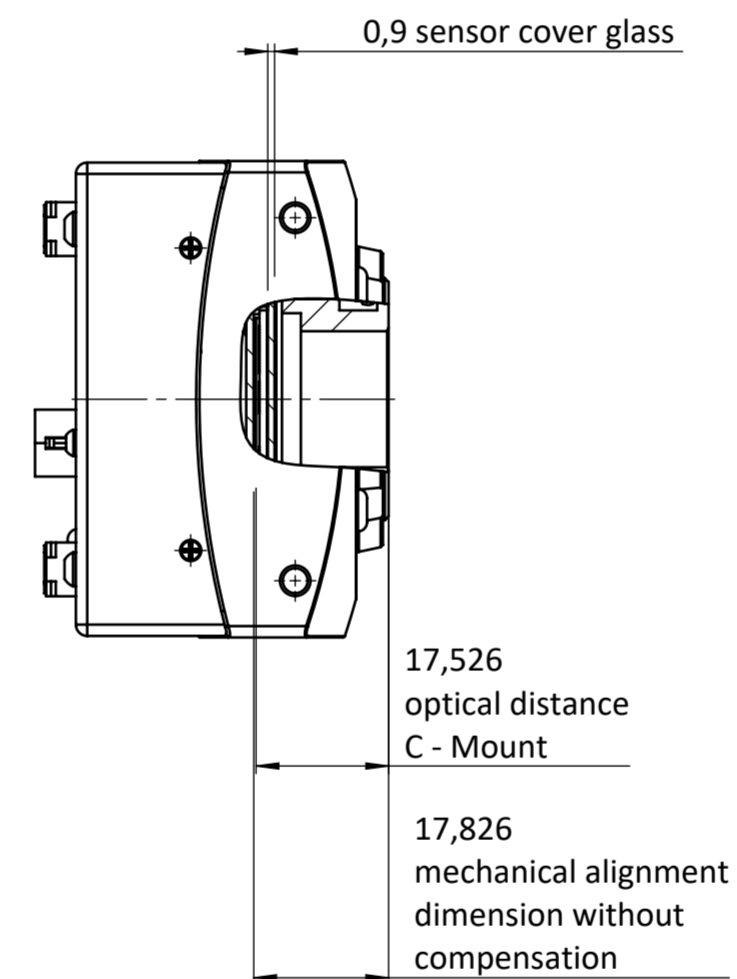
right view



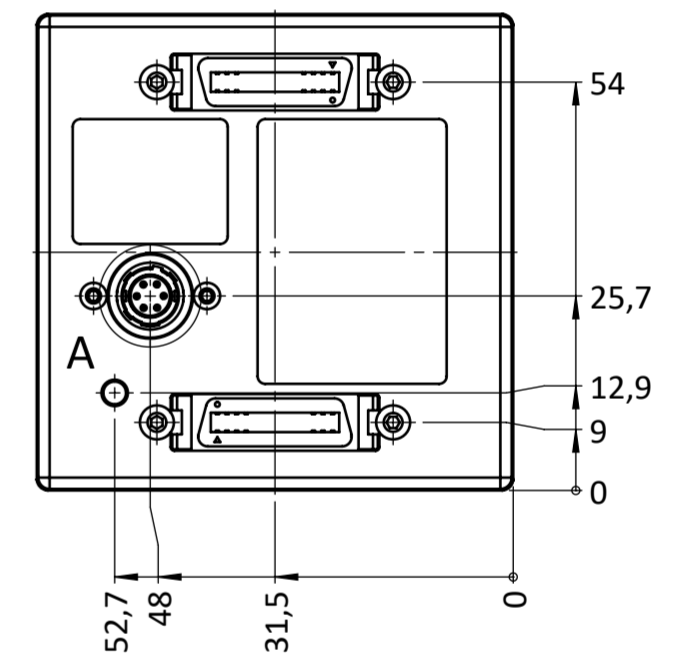
front view



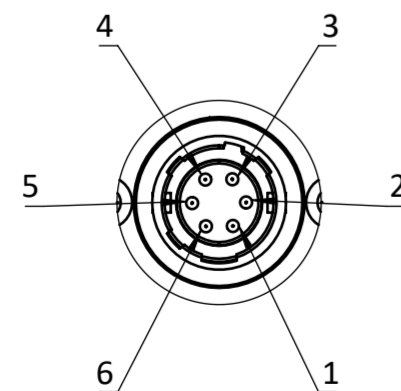
left view



back view

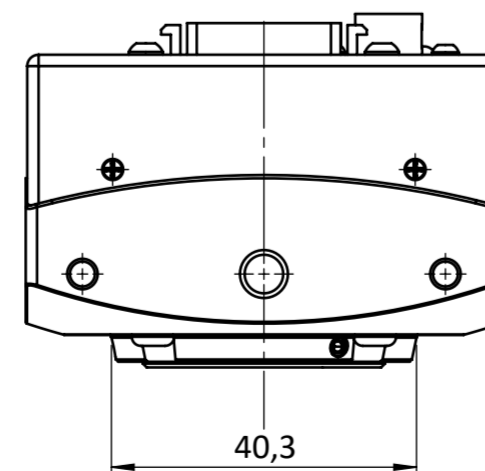


Hirose Connector



DETAIL A
Scale 2 : 1

top view



Hirose Pinout	
Pin	Signal
1	VCC
2	VCC
3	STRB OUT
4	GND STRB
5	GND
6	GND

	all dimensions in mm unless otherwise specified		Scale: 1:1	Rev.: 1
			Customer Interface Drawing	
		Title: EOSENS1.3 MCL-CM		
		Material:		Material No.: CAMMC1362
Name: S.Seller Sign: STB Date: 13.06.2022	Weight:		A2	
				Blatt/Sheet 1 / 1