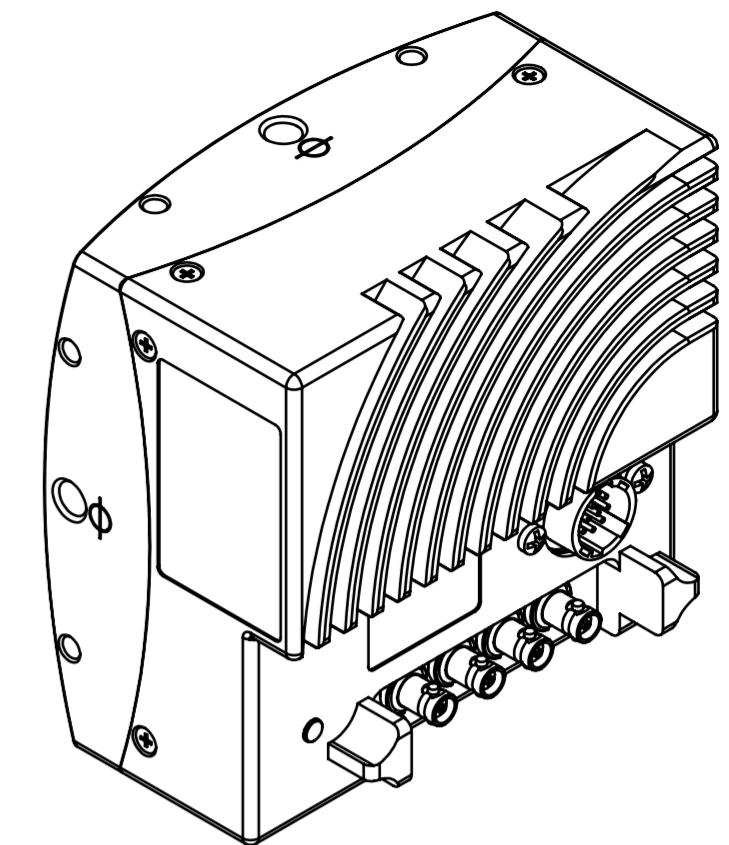
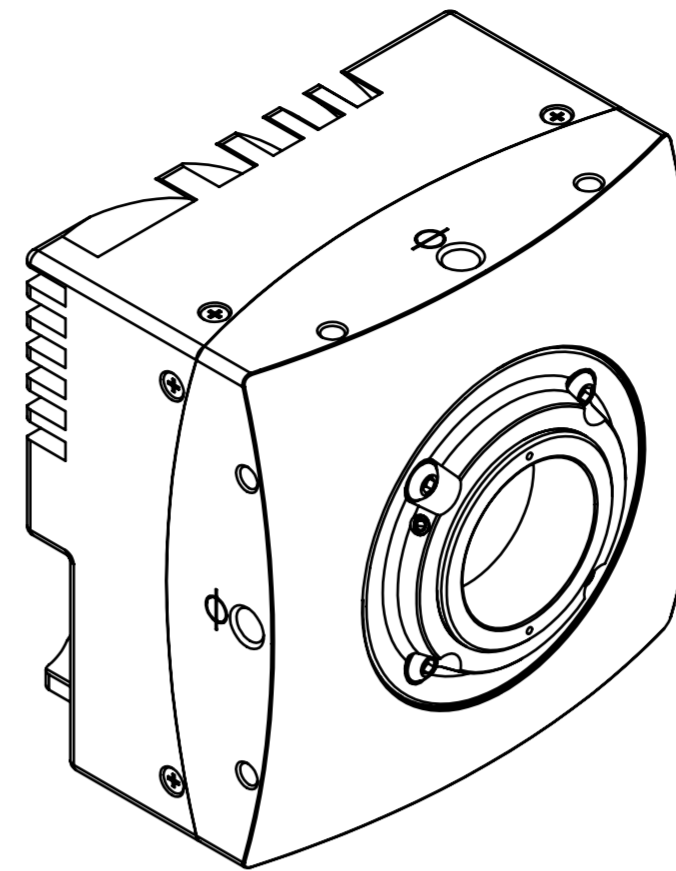
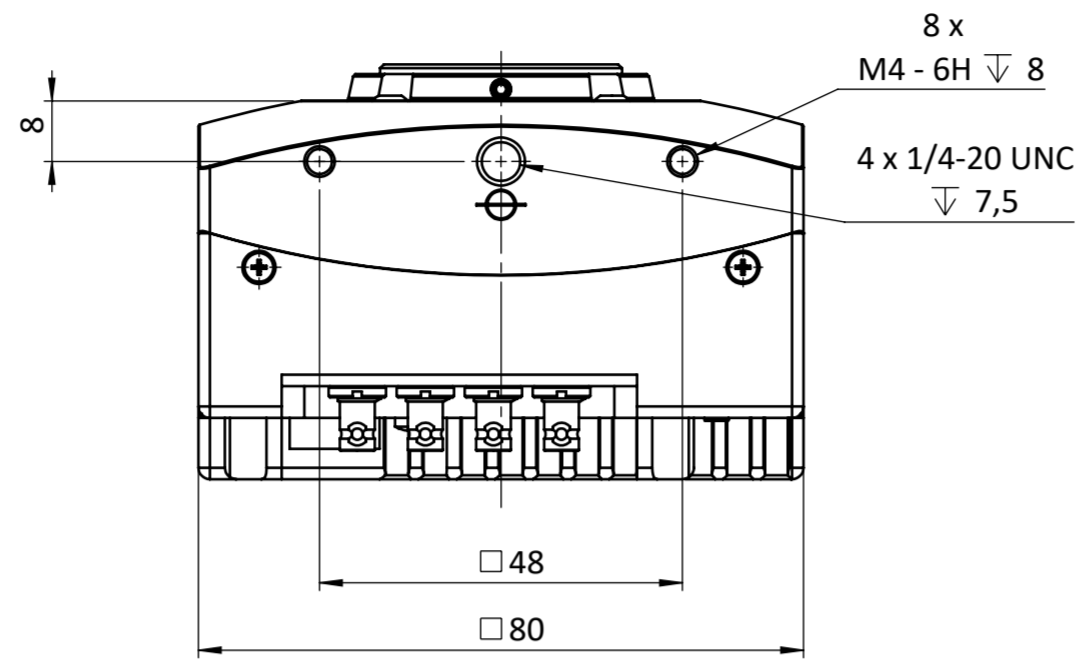
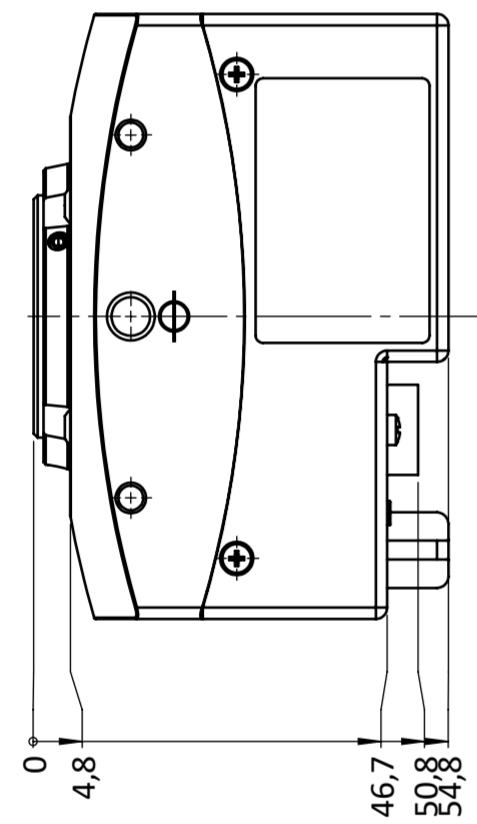


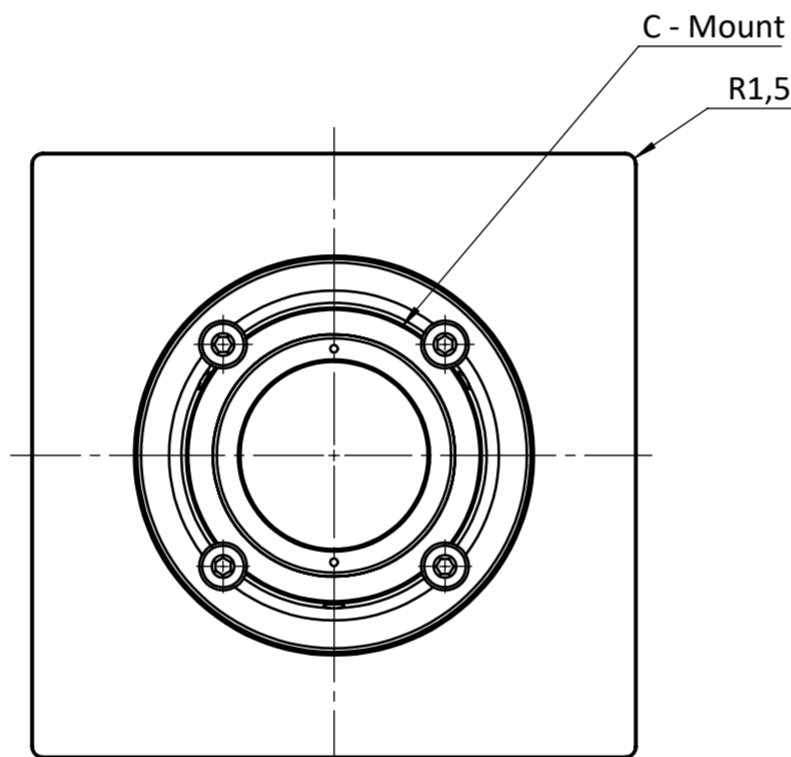
bottom view



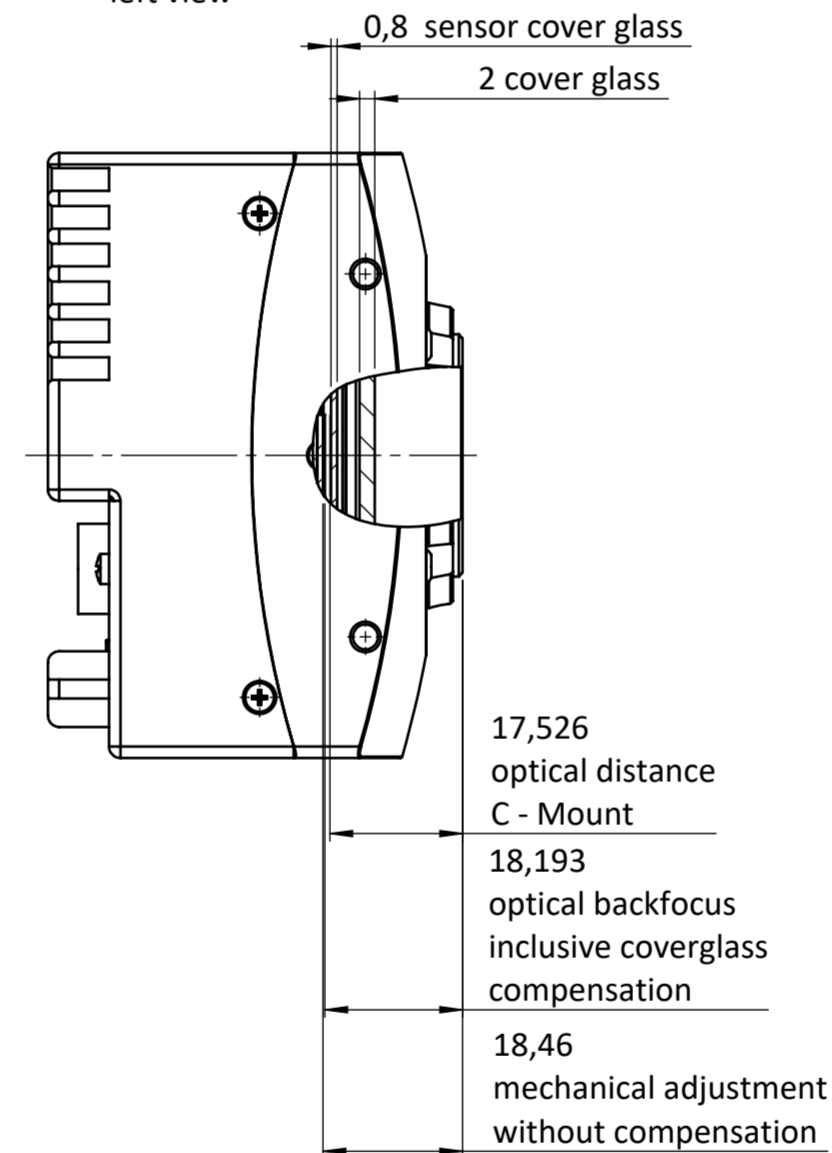
right view



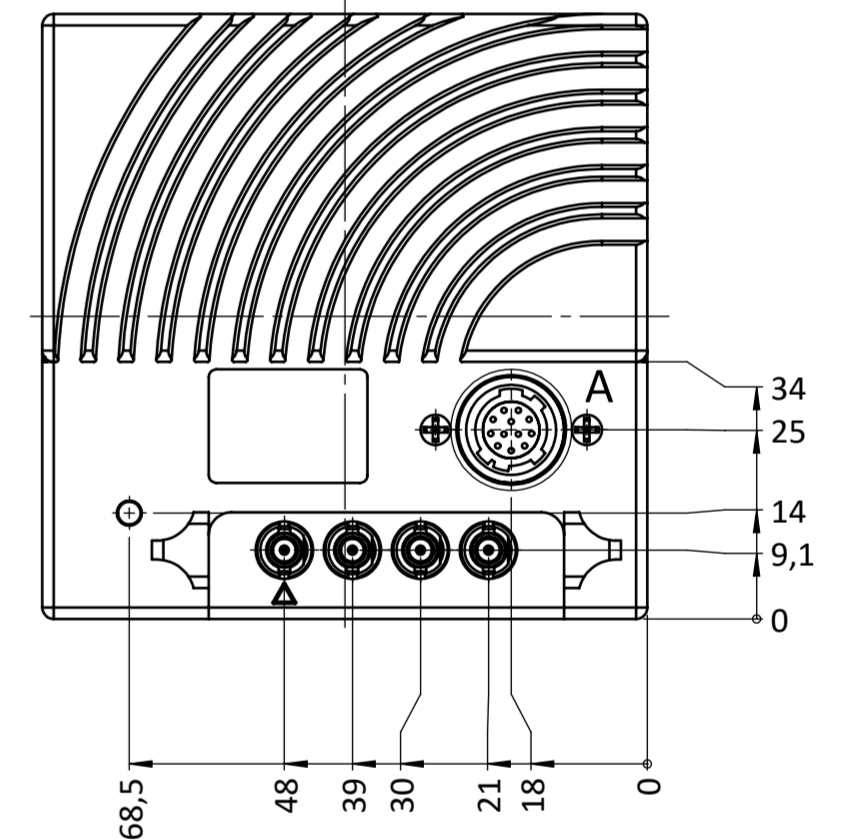
front view



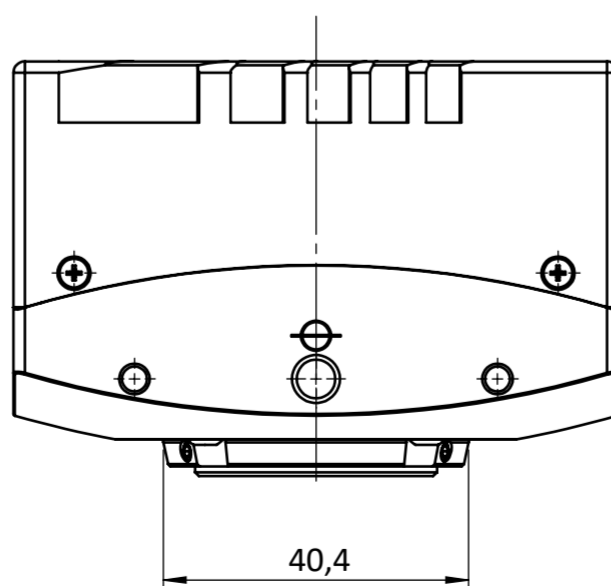
left view



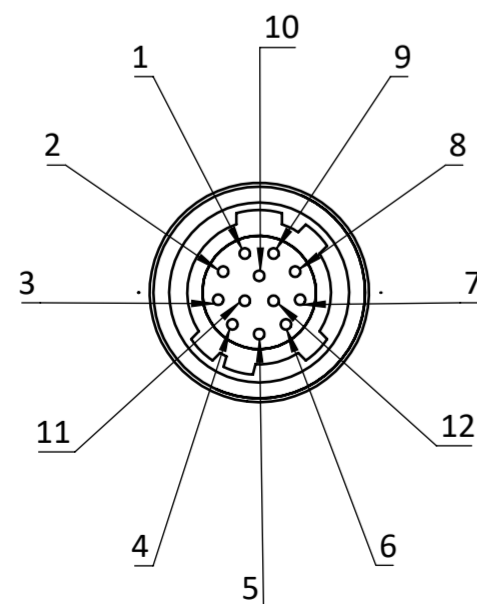
back view



top view



Hirose Connector



DETAIL A
 SCALE 2 : 1

Hirose Pinout	
Pin	Signal
1	GND
2	VCC (12 - 24V)
3	IO GND
4	OUT 0
5	IO GND
6	IN 0
7	IO GND
8	OUT 1
9	IO GND
10	IN 1
11	VCC (12 - 24V)
12	GND

drawing applies to
 EoSens1.1CCX12-CM
 EoSensCreation1.1CCX12-CM2

 SVS-VISTEK <small>A BRAND OF SVS-VISTEK</small> <small>High-Speed Vision Solutions</small>	all dimensions in mm unless otherwise specified	Scale: 1:1	Rev.: 1
		Customer Interface Drawing	
Title: EoSens1.1CCX12-CM		Material No.:	
Drawn: S.Seller Checked:	Name: S.Seller Sign: [Signature] Date: 12.12.2022	Material:	A2
Weight:		Blatt/Sheet 1 / 1	