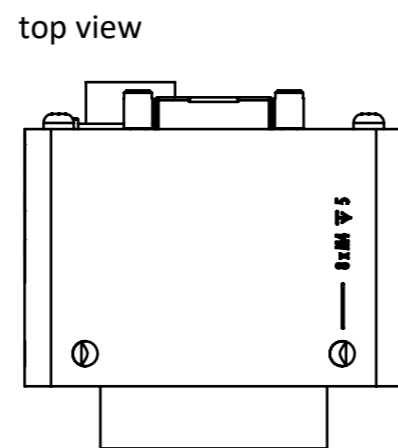
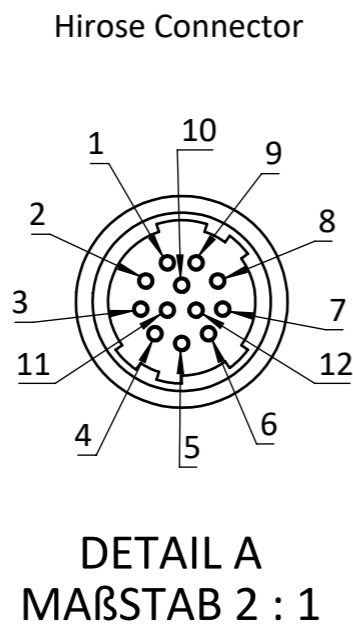


Hirose Pinout EXO, HR (CL Deca, CXP), SHR	
Pin	Signal EXO, HR (CL Deca, CXP), SHR
1	V IN- (GND)
2	V IN+ (10 - 25V)
3	IN 4 RxD (RS232)
4	OUT 4 TxD (RS232)
5	IN 1 (0 - 24V)
6	IN 2 (0 - 24V)
7	OUT 1 (open drain)
8	OUT 2 (open drain)
9	IN 3+ (opto IN+)
10	IN 3- (opto IN-)
11	OUT 3 (open drain)
12	OUT 0 (open drain)
	Shielding



drawing applies to
mono and color
cameras

		all dimensions in mm unless otherwise specified		Scale: 1:1		Rev.: 1	
SVS-VISTEK				Customer Interface Drawing			
Drawn	W. Schreiber	Sign.	08.10.2021	Title:		EXO990xGE POE	
Checked				Material:		Material No.:	
				Weight:		A3	
						Blatt / Sheet 1 / 1	