



Karmin3 is intended for use with SceneScan or SceneScan Pro image processing systems. Karmin3 is not for individual sale.

Specifications

| | |
|--------------------------|---|
| Sensor resolution | 2048 x 1536 pixels |
| Sensor | Sony Pregius IMX265 |
| Sensor format | 1/1.8" |
| Lens mount | C/CS-mount |
| Chroma | Mono / color |
| Shutter | Global shutter |
| Interface | USB 3.0 |
| Trigger-input | 4-pin Binder M8 connector 5 cm / 10 cm / 25 |
| Stereo baseline distance | cm |
| Mounting bottom side | 4x M3 threaded hole 1x 1/4" UNC threaded hole (tripod mount) |
| Mounting top side | 2x M3 threaded hole |
| Weight without lenses | 330 g for 5 cm baseline 350 g for 10 cm baseline 470 g for 25 cm baseline |
| Conformity | CE, UKCA, FCC, RoHS |

Operating voltages for trigger port

Maximum allowed lens intrusion

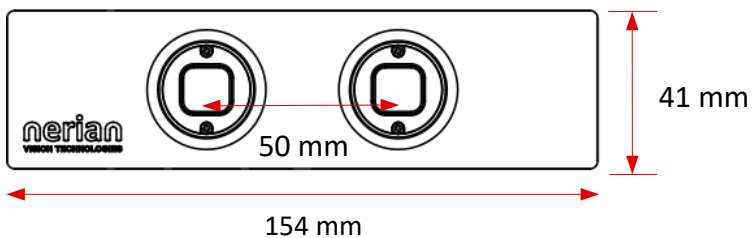
| Voltage | Description | Mount type | Maximum intrusion |
|-------------------|-----------------------|------------|---------------------------------|
| -70 up to +40 VDC | Absolute max. voltage | CS-mount | 5.2 mm |
| 0 up to +30 VDC | Safe operating range | C-mount | 10.2 mm (with 5 mm spacer ring) |

Supported trigger frequencies / frame rates

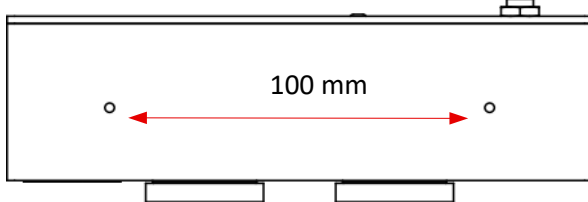
| Binning / Demosaicing | SceneScan model | Disparity range | Max. frequencies |
|----------------------------|-----------------|-----------------|------------------|
| 2 x 2 monochrome binning | SceneScan | 128 | 16 Hz |
| 2 x 2 monochrome binning | SceneScan Pro | 256 | 34 Hz |
| Color (binning) | SceneScan Pro | 256 | 32 Hz |
| Full resolution monochrome | SceneScan Pro | 256 | 7 Hz |

Technical drawing

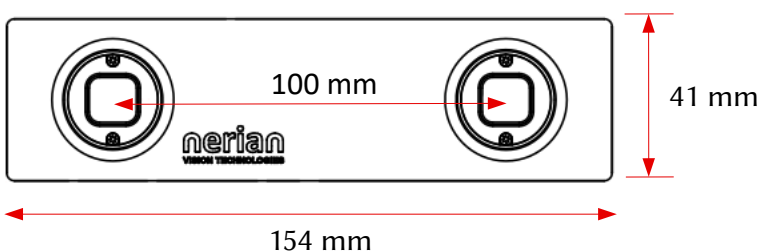
Karmin3 5 cm baseline Front



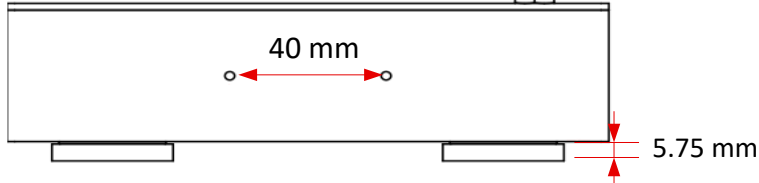
Bottom



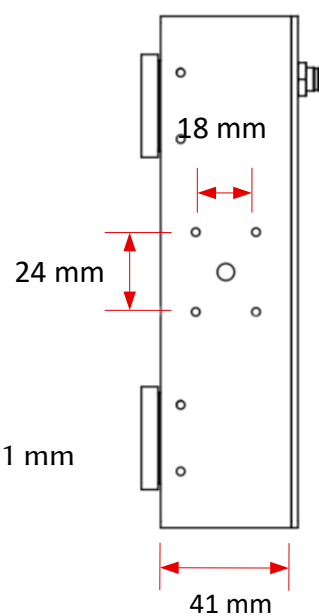
Karmin3 10 cm baseline Front



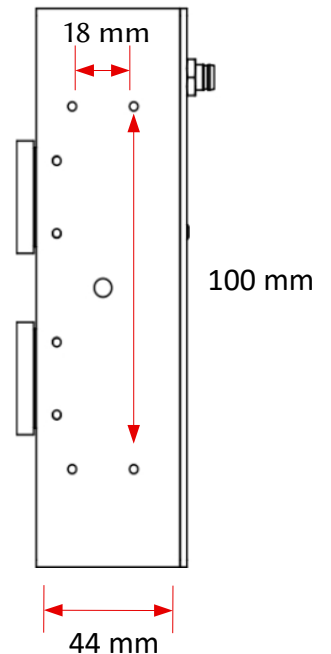
Bottom



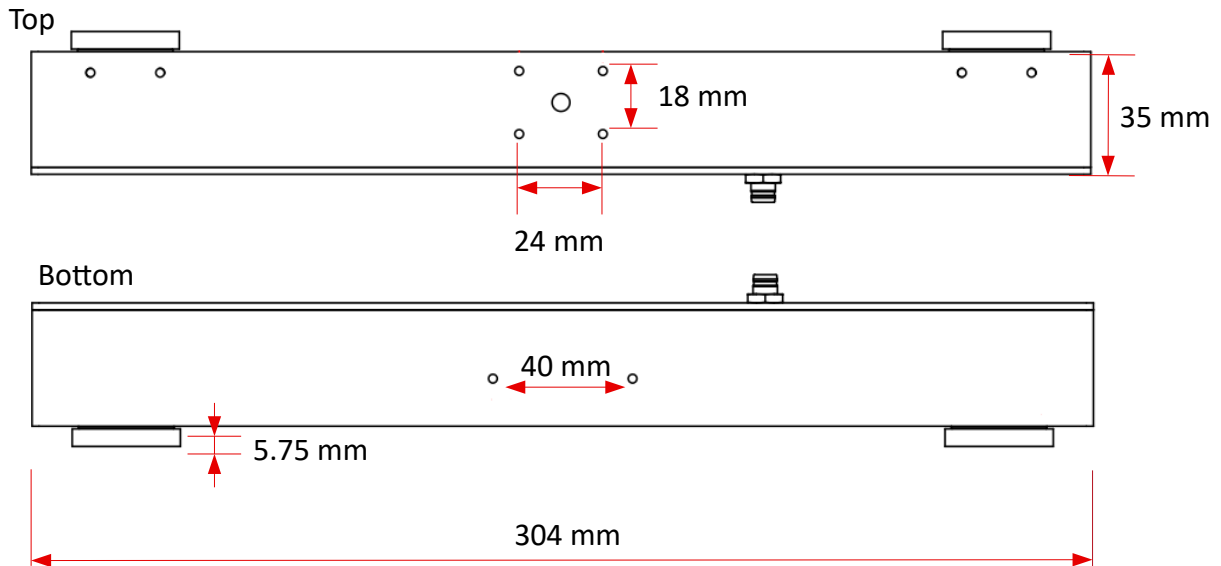
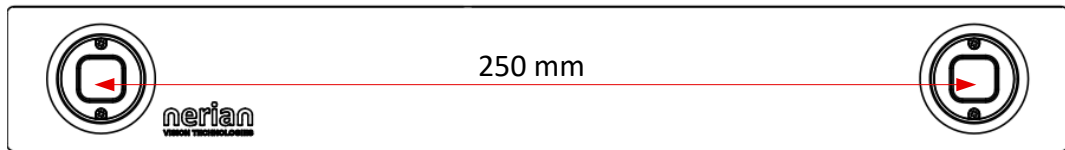
Top



Top



Karmin3 25 cm baseline Front



Pin assignment of trigger connector

| Pin | Assignment |
|-----|-------------------------------|
| 1 | Trigger 0 (opto-isolated) |
| 2 | Not connected Ground |
| 3 | (opto-isolated) Not connected |
| 4 | connected |

